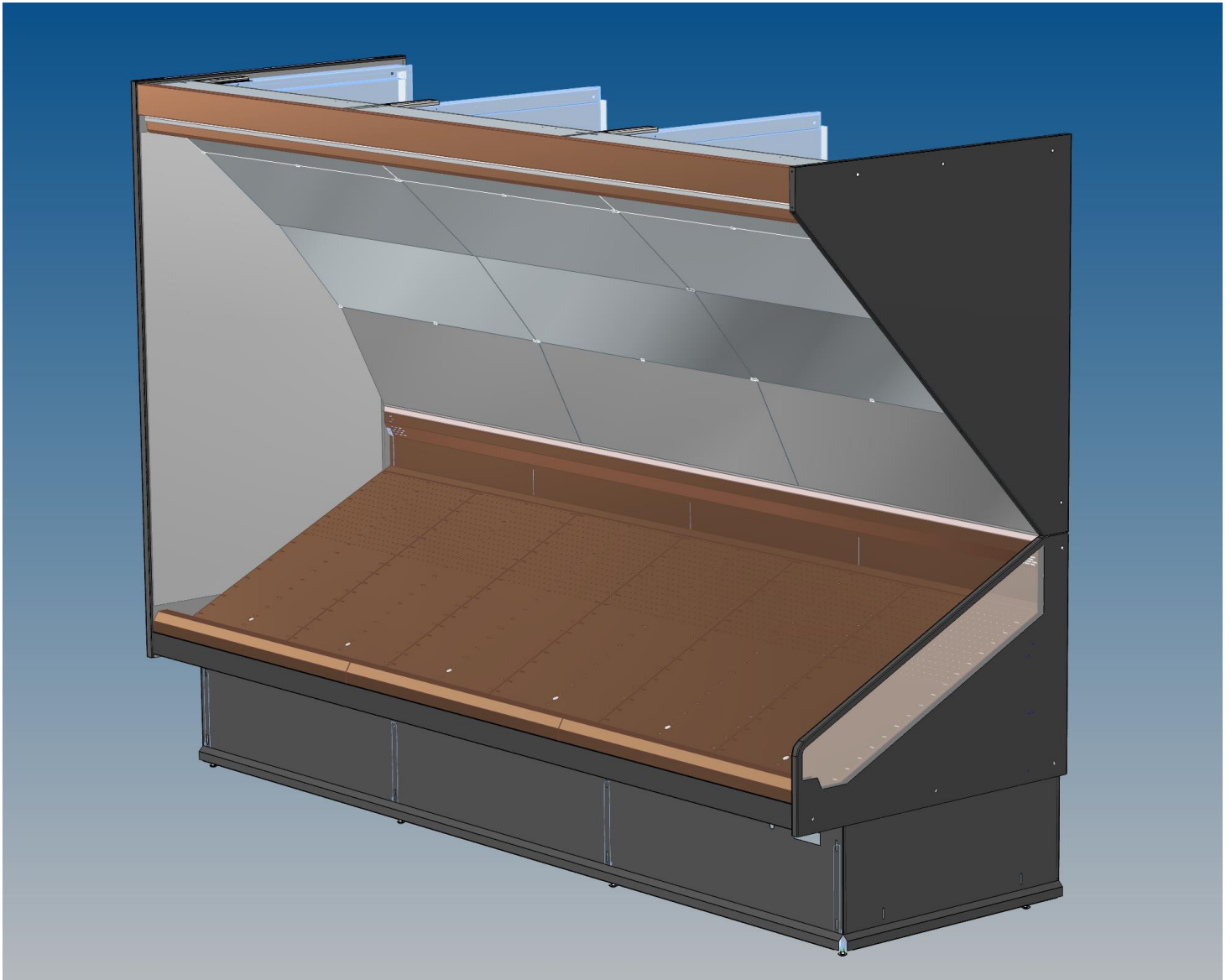


Kivik 3P H276 Max

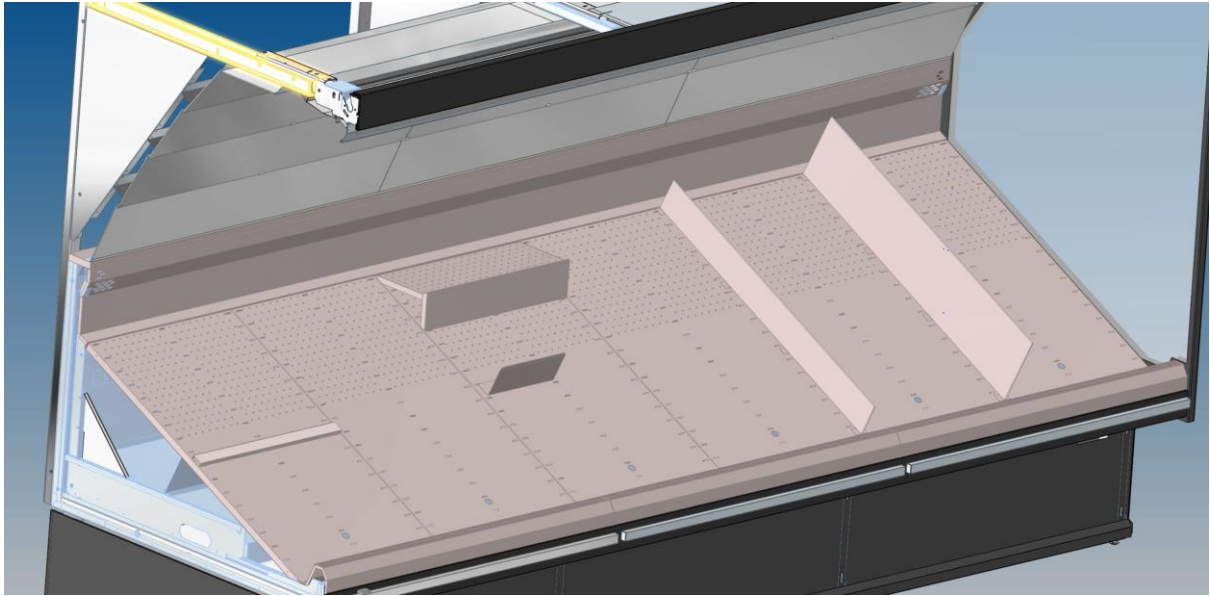
F&V Expo · Mirror display wall cabinet



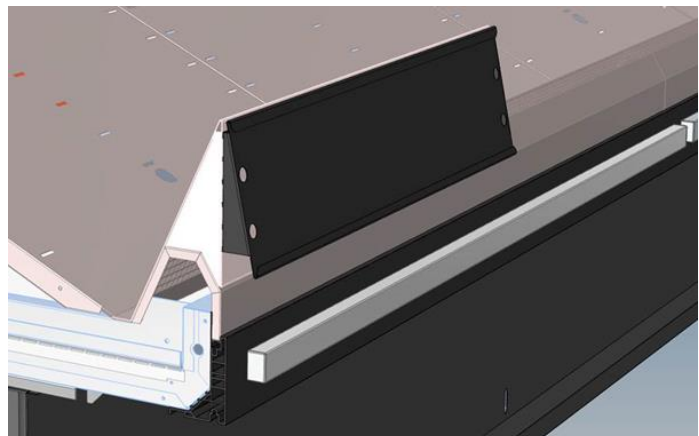
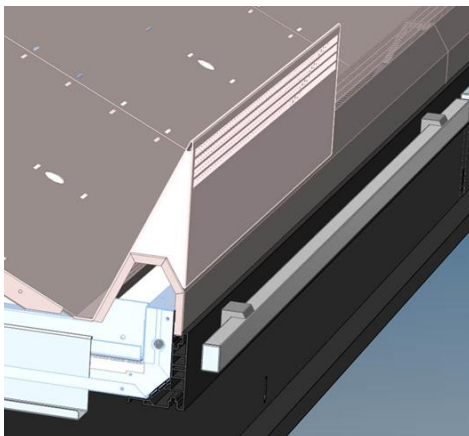
- Maximized fruit & vegetable display cabinet
- 4-part mirror combined with adjustable LED spot lights
- Kick plinth comes in painted or laminated version
- Black screening on endwall thermopane glass
- Front and top in flat design
- Front bumper options available

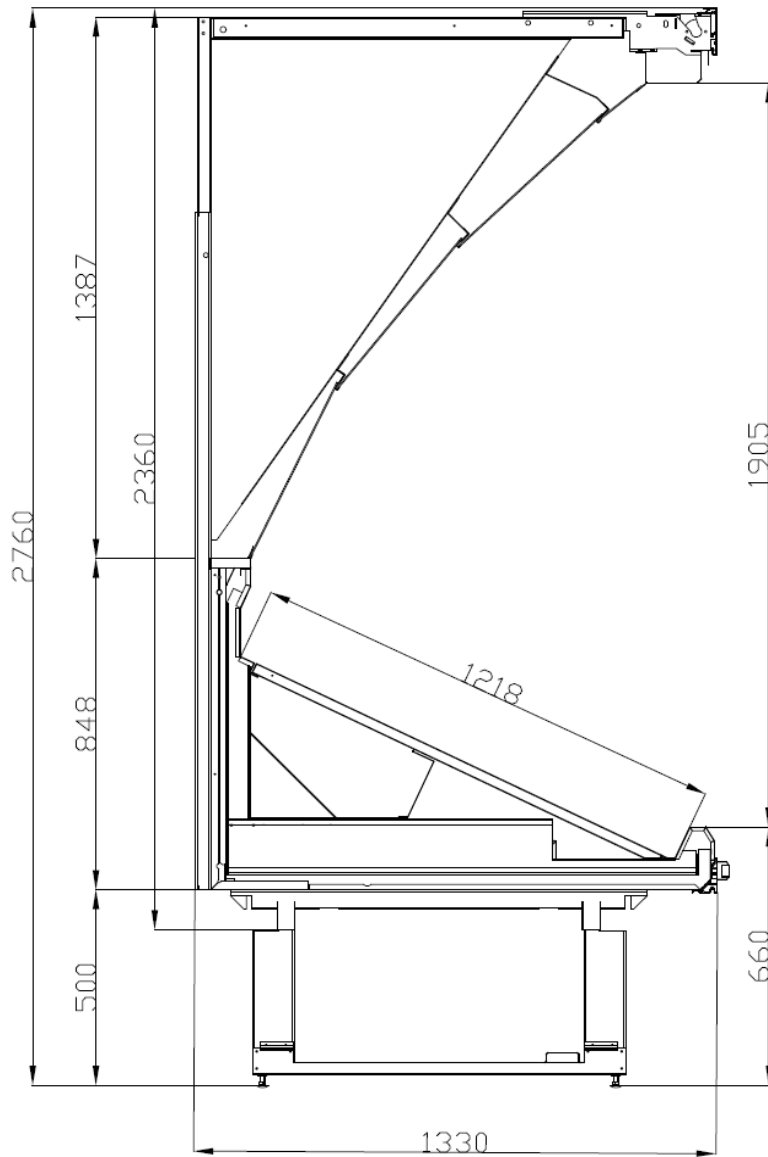
Kivik 3P H276 Max

Accessories



Flexible accessories will optimize product display. Choose from box stops, step decks and vertical or horizontal dividers. You can also achieve a raised air return and added sign holder using below items.





Kivik 3P H276 Max		1250 H276	2500 H276	3750 H276
Length without ends	mm	1250	2500	3750
Endwall	mm	30	30	30
Height	mm	2760 installed 2360 on delivery	2760 installed 2360 on delivery	2760 installed 2360 on delivery
Depth	mm	1 330	1 330	1 330
Working Temperature	+4 / +8 °C	•	•	•

Information related to energy class (Ecodesign Regulation 2019/2024 and Energy Labelling Regulation 2019/2018) refers to specific product configurations. All configurations other than that presented in the website could require significantly different energy class information. For further details, either consult the European Product Database for Energy Labelling (EPREL) or contact our sales office.

